

A

B

C

D

A

B

C

D

1

2

3

4

5

6

1

2

3

4

5

6

PG21

InKonn

Seal

95.5

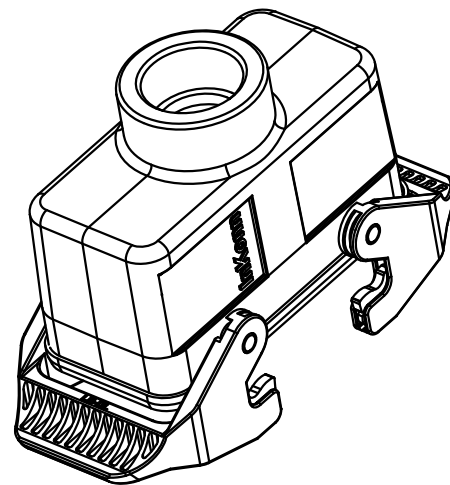
22.5



16

45

45

55.6



 InKonn (Suzhou) Electric Technology Co.,Ltd.	 All Dimensions in mm Original Size DIN A4	Date 2020-11-10	Drawing No. TC3640246	Rev. A00	Scale 1:1
	Part No. 10 11 816 0423	Created by Shuxu Huang	Checked by Yiyi Luo	Page 1/1	Type Name HB16-CTC-DL-PG21